

## EEDP1470AX Warming Drawer

### Attention to detail

Keep food warm for longer with our 14 cm warming drawer which uses a warm circulation system to heat plates and evenly.



### Premium design for the sophisticated kitchen

The gleaming stainless-steel material and robust handle are beautiful design features that make this 14cm professional-style warming drawer a pleasure to use.



### The defrosting alternative

Here is a great alternative to defrosting food in the microwave. Now you can achieve the same results with the warming drawer of your oven.

### More Benefits :

- A telescopic drawer with a grip mat provides easy access and safe stacking of dishes
- Adjustable warming drawer temperature for ideal dough rising

### Features :

- Load capacity for max. 6 persons servings, depending on the size of the dishes
- Warming drawer functions: Crockery warming, Defrost, Food Warming, Proving Dough
- Adjustable temperatures: 30-70°C
- Built-in warming drawer

### Technical Specs :

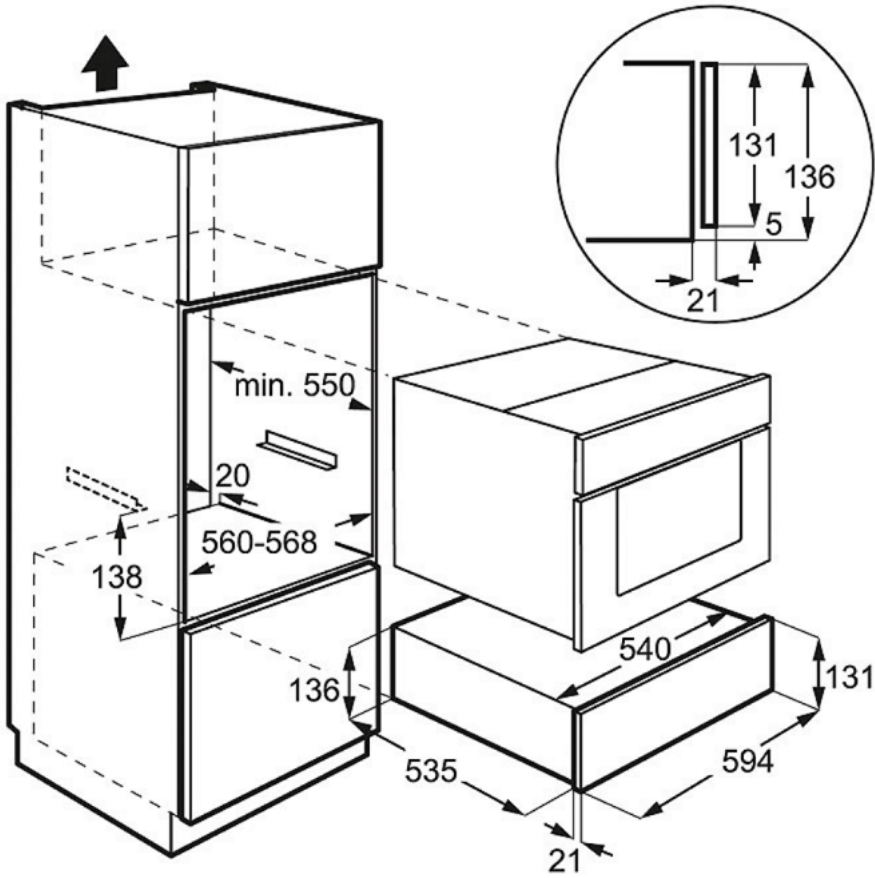
- Width (mm) : 594
- Place Settings : 6
- Colour : Stainless steel with antifingerprint / Mirror
- Installation : BI
- Height (mm) : 140
- Type of handle : None - Push Pull
- Built In Width (mm) : 560
- Built In Height (mm) : 145
- Built In Depth (mm) : 550
- Control function : Crockery warming, Defrost, Food Warming, Proving Dough
- Door Handle design : No

### Product Description :

Electrolux947 006 028

# EEDP1470AX Warming Drawer

PSGBPL130D000002



PSGBPL130D000002

